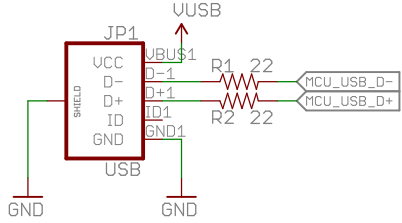
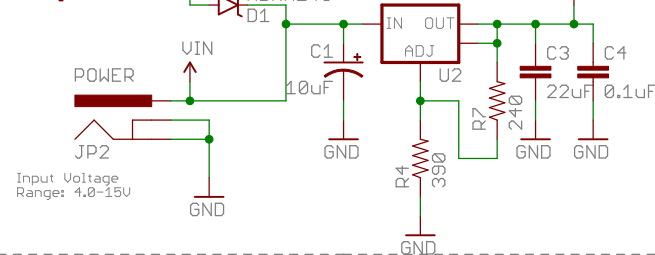


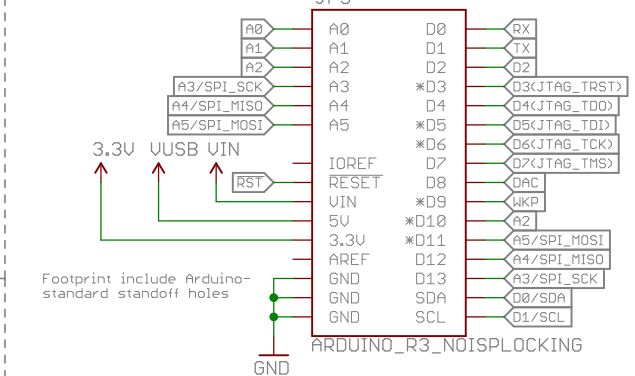
### USB (Power Supply & Interface)



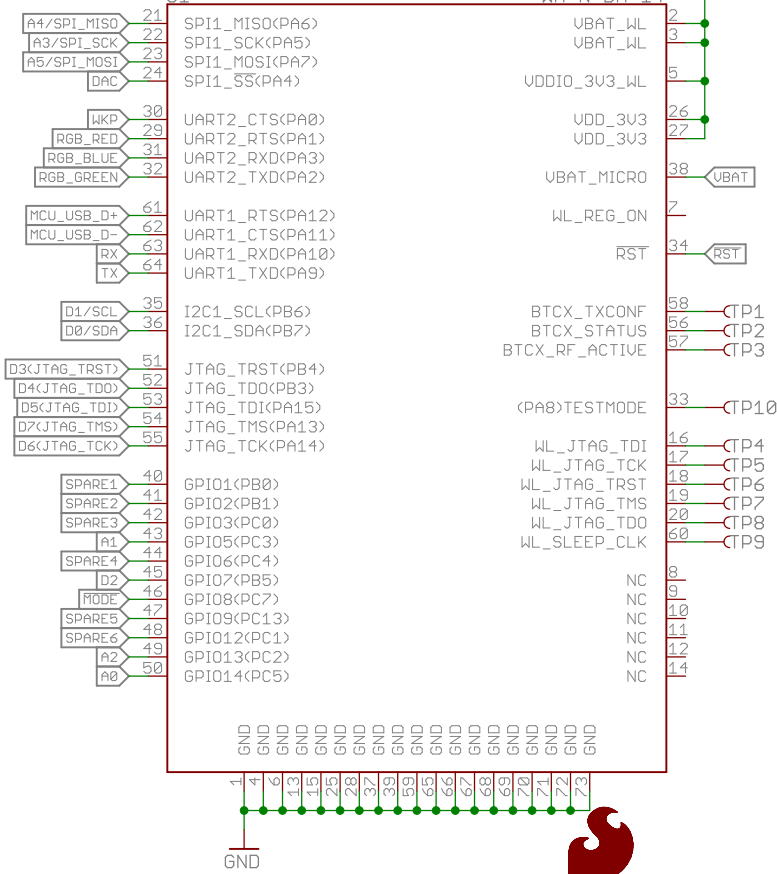
### Voltage Regulator



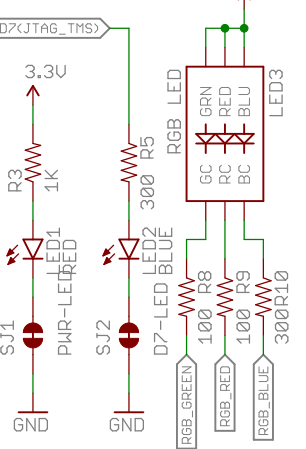
### R3 Footprint



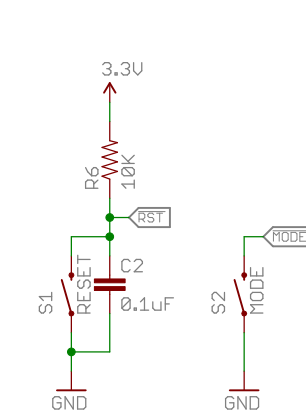
### USI WM-N-BM-14 (BCM43362 + STM32F205RGY6)



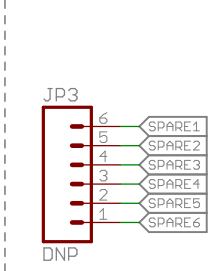
### LEDs



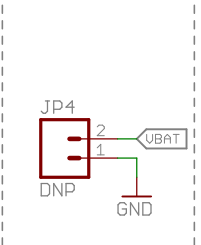
### Buttons (Reset & Mode)



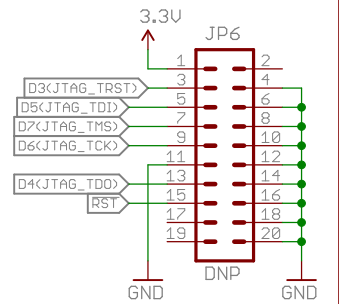
### Spare Pins



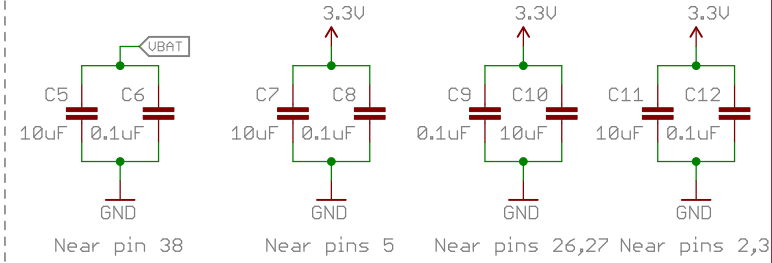
### VBAT (1.8-3.3V)



### ARM JTAG



### Bypass Capacitors



Released under the Creative Commons Attribution Share-Alike 4.0 License  
<https://creativecommons.org/licenses/by-sa/4.0/>

TITLE: sparkfun-photon-redboard-v10

Design by: Jim Lindblom  
 Based on the Photon by Particle.io.

Date: 8/26/2015 2:52:24 PM

REV: v10

Sheet: 1/1

